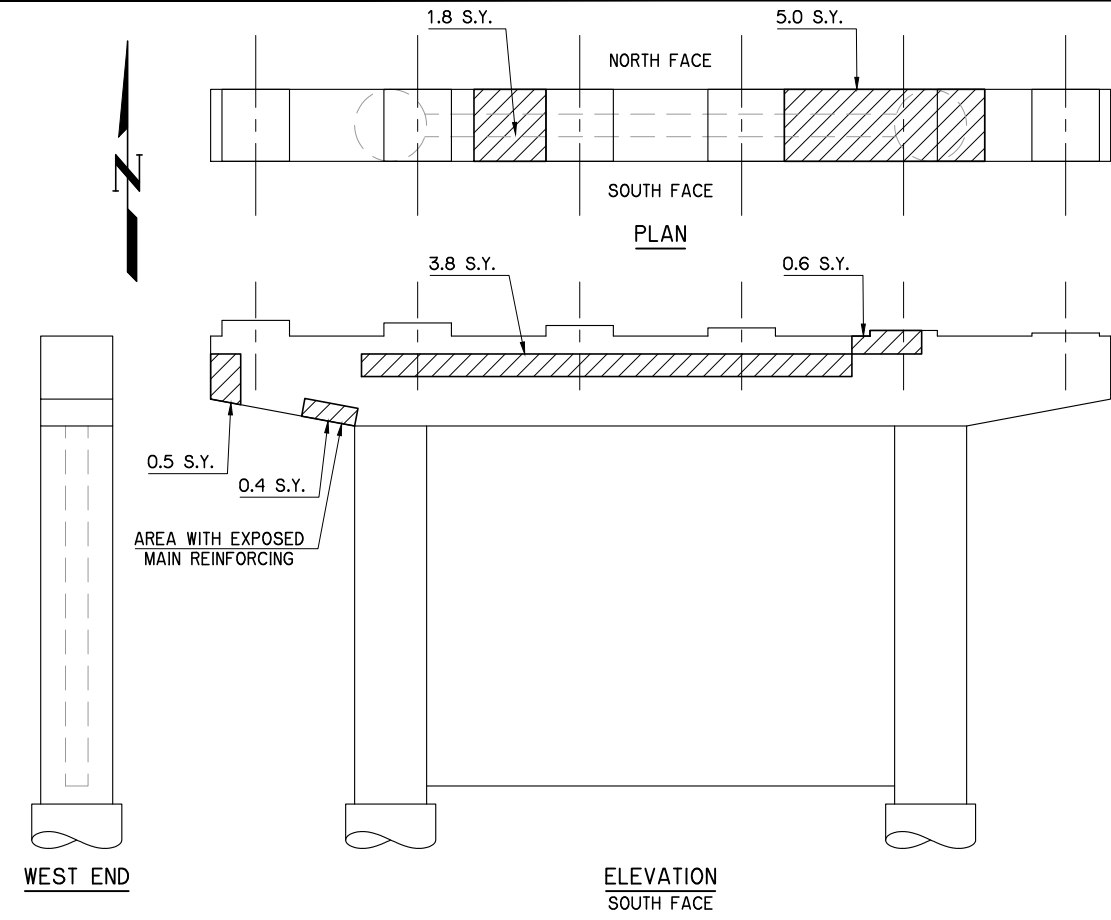
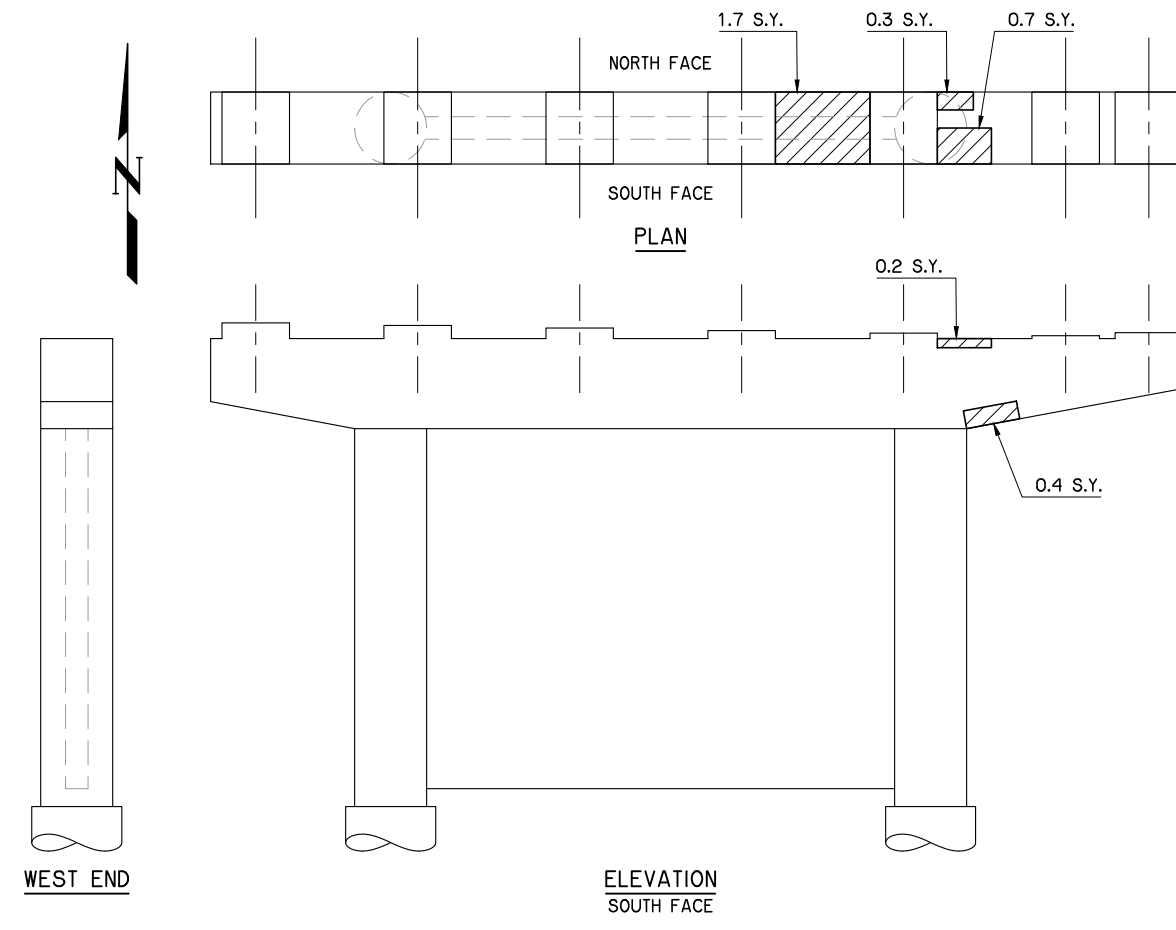
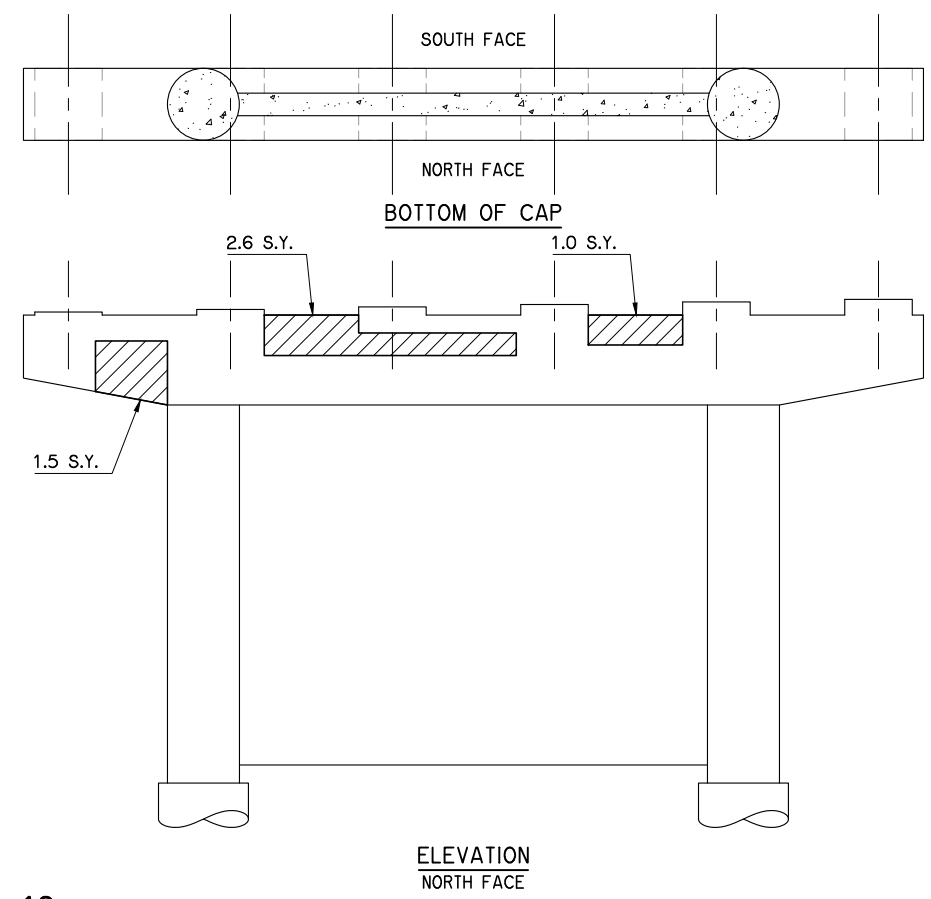


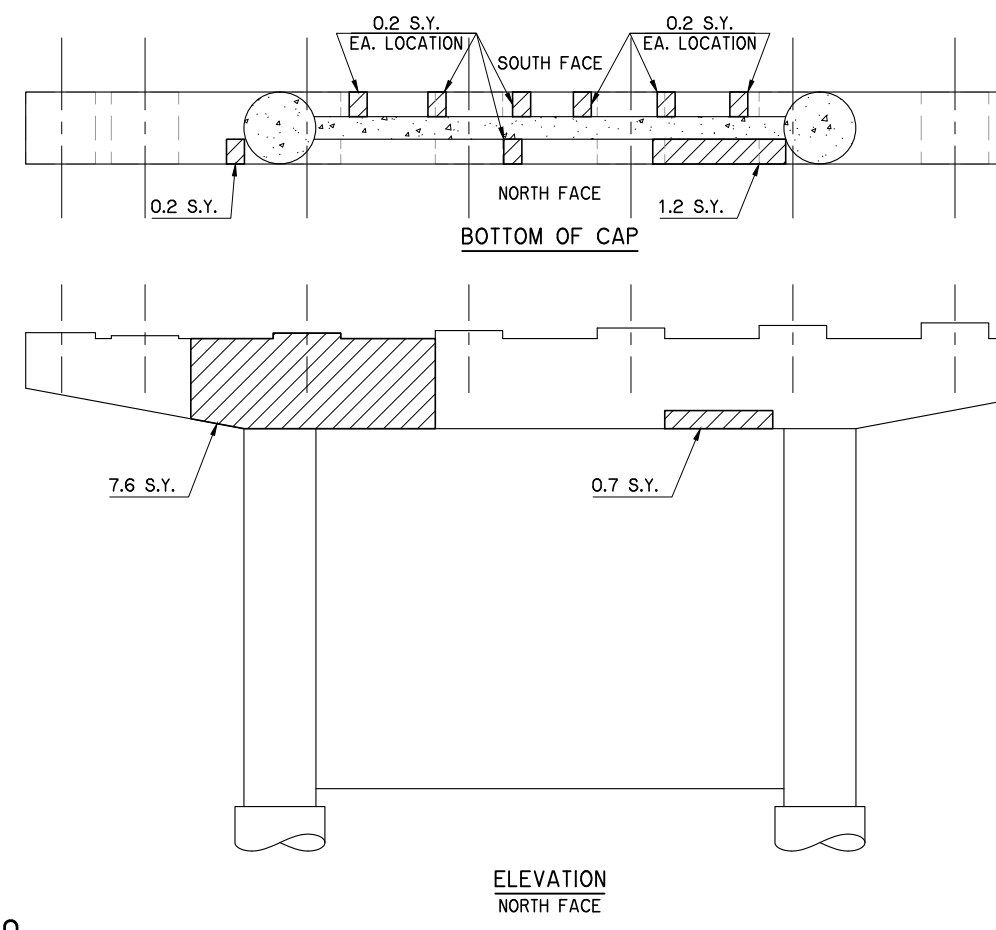
REVISIONS		
REV. NO.	DESCRIPTION	DATE



PIER NO. 19



PIER NO. 20



LEGEND

	PREPARATION OF CRACKS (ABOVE WATER)
	REPAIR BRIDGE ITEMS

SH 51 NB OVER ARKANSAS RIVER		TULSA COUNTY		Design	ADT
PIER REPAIR DETAILS PIER NO. 19 AND NO. 20				Detail	FEZ
				Check	ADT
STATE OF OKLAHOMA				WHITE ENGINEERING ASSOCIATES	
				DEPARTMENT OF TRANSPORTATION	

I:\Active\1626\Drawings\22 Pier 19 & 20.dwg, 6/12/2017 11:13:23 AM, Fred